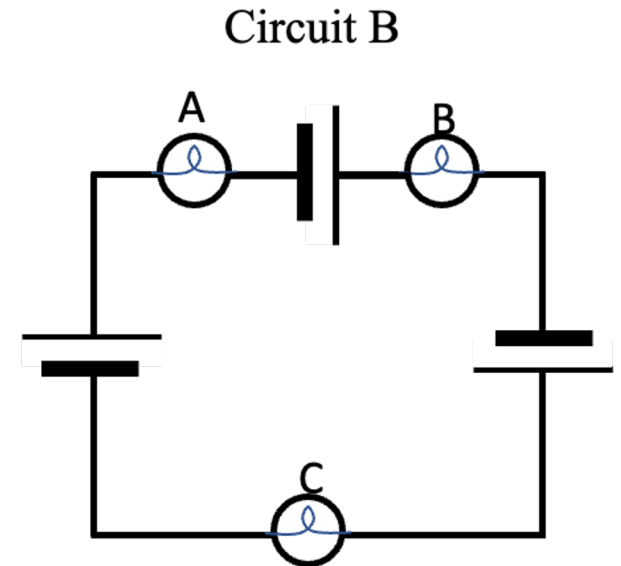
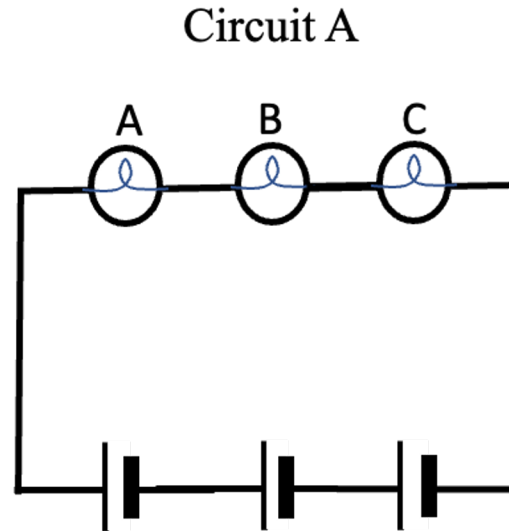


Order of elements explain question

A TA constructs two circuits (shown at right). Each circuit contains the same 3 bulbs and 3 batteries. The only difference between the two circuits is the order in which the elements are placed. The brightness of the bulbs in circuit A and B are the same. (*i.e.*, all 6 bulbs shine equally bright).



Does this observation make sense to you? Explain how your understanding of circuits supports or opposes this observation.

